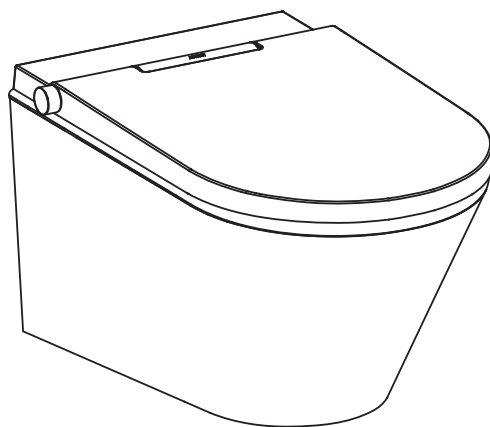


**AXENT**  
SWITZERLAND



AXENT.ONE PLUS

**INSTALLATION INSTRUCTIONS**



## SAFETY SYMBOLS

---

The following warning signs warn you of dangerous situations and their severity:



**DANGER!**

High Risk, Lethal Hazards, Severe Injuries



**WARNING!**

Medium Risk, Severe Injuries



**CAUTION!**

Low Risk, Minor Injuries



**NOTE!**

Damage to Property

## TARGET READERSHIP AND INSTALLER QUALIFICATIONS

---

Installation must be carried out by qualified professionals.

Repairs should only be performed by trained and qualified persons.



**NOTE!**

Follow all local installation regulations and country specific voltage and plumbing standards. DO NOT install the intelligent toilet in rooms where there is a danger of frost. The room temperature and water temperature must not be less than 4°C (39°F).

Condensation may form when the intelligent toilet is brought from a cold location to a warm one. Leave the unit switched off for a few hours before operating.



**DANGER!**

### Risk of fatal electric shock

The appliance must be grounded and plugged into a GFCI outlet.

DO NOT remove individual components from (inside of) the intelligent toilet.

If the unit has a damaged cord or plug, return the product to a service center for repair. The cord or plug may only be changed by qualified personnel.



**CAUTION!**

DO NOT reuse old hoses. Please use new hoses and included components.

Axent Corp is not liable or responsible for damaged caused by 3rd party components

## TECHNICAL SUPPORT

---

For any questions or any assistance with this product, please contact your dealer or call us at

1-800-769-4857

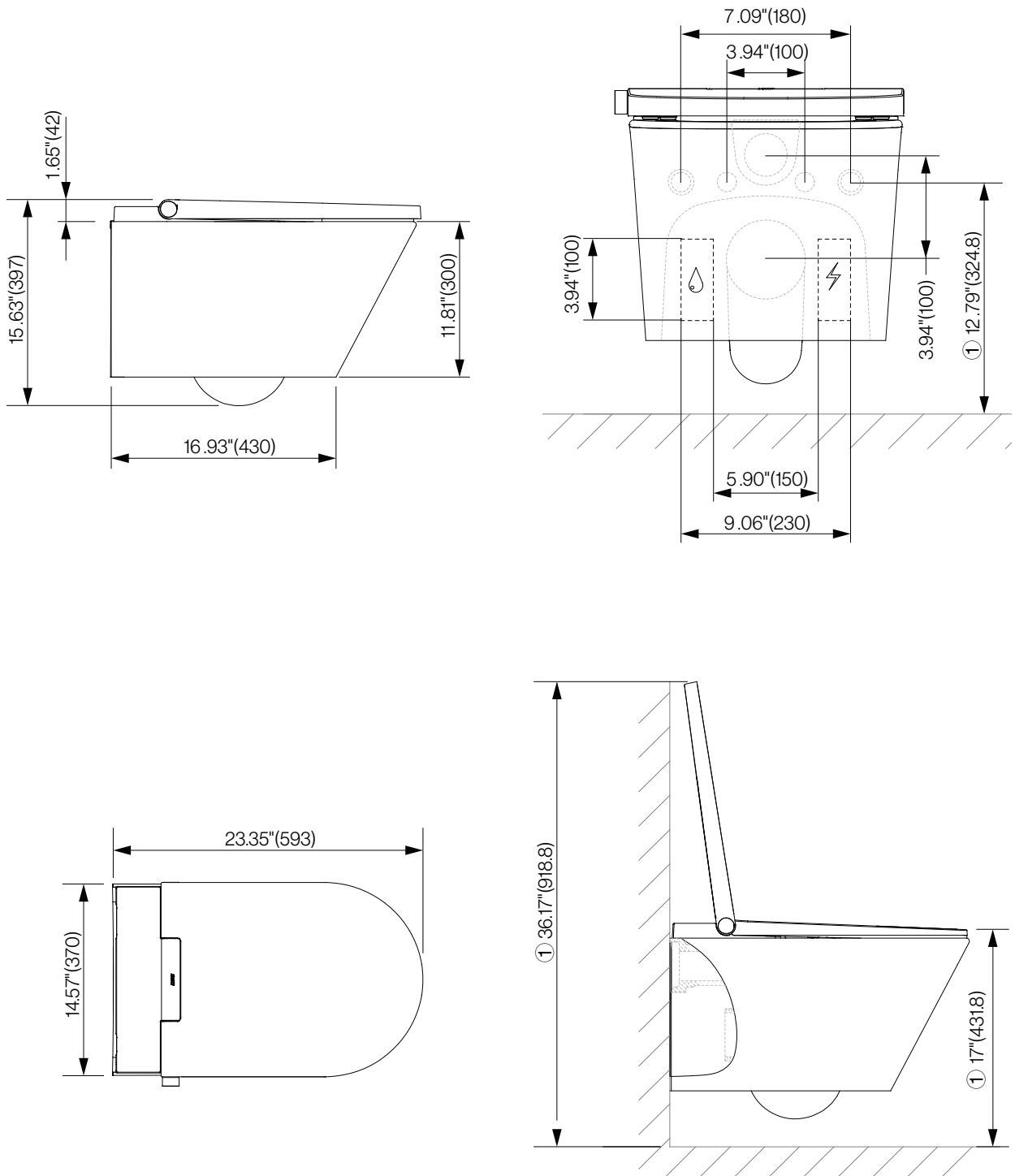
support@axentproducts.com

www.axentbath.us

---

# PRE-INSTALLATION CONFIRMATION

## DIMENSION



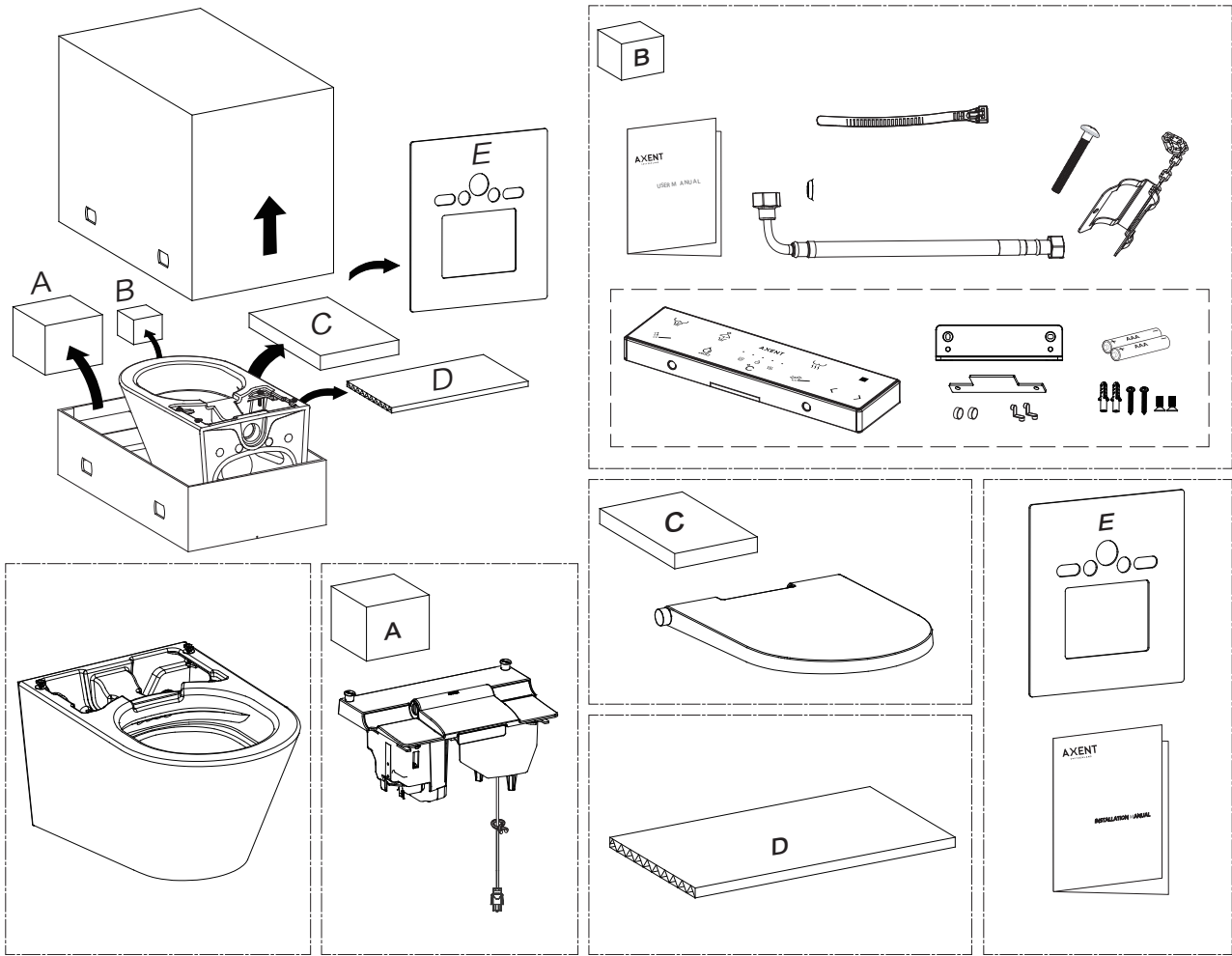
Unit:inches(mm)



① Dimensions published here are for secondary reference only, and can be changed according to individual needs within the installable range. Please double check these dimensions before final installation.

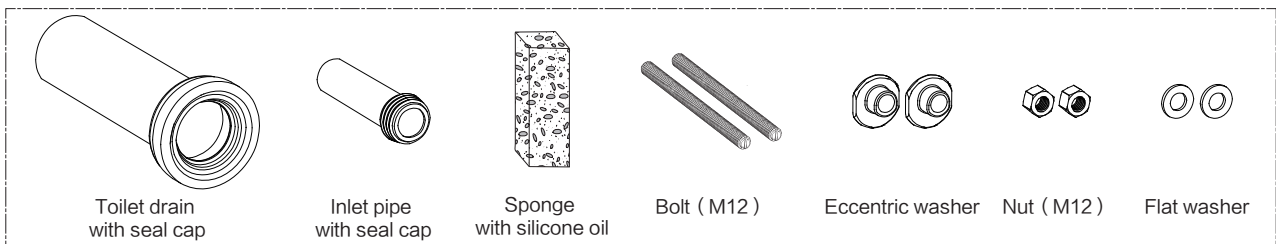
## PRE-INSTALLATION CONFIRMATION

### STANDARD DELIVERY CONTENTS

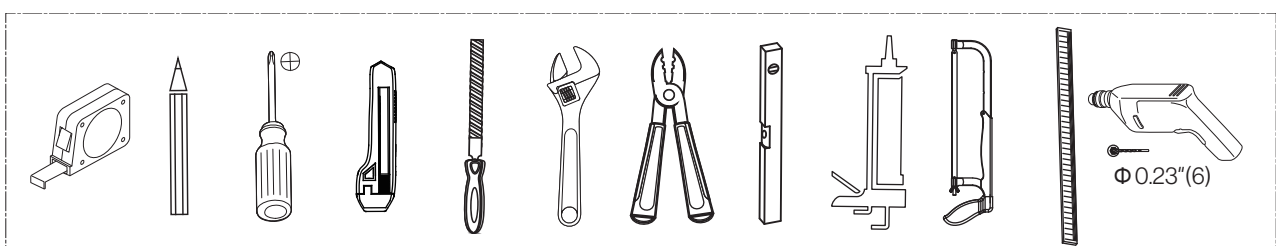


### ACCESSORIES

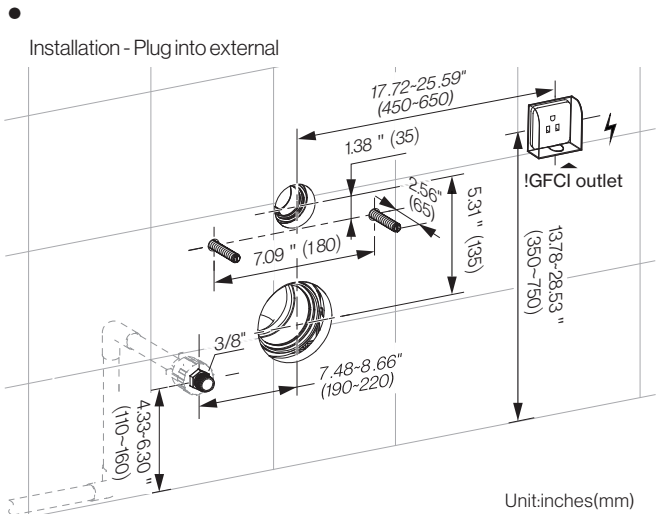
(These accessories typically come with the in wall cistern and may vary in size and appearance. Please double check fit before installation)



### TOOLS FOR INSTALLATION

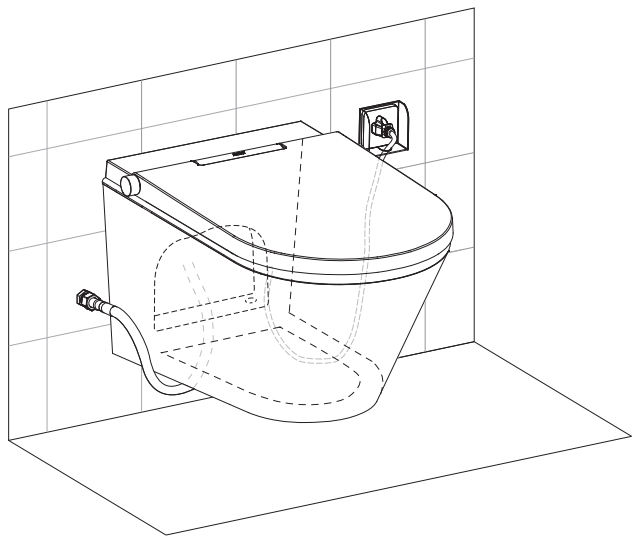


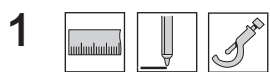
# PRE-INSTALLATION CONFIRMATION



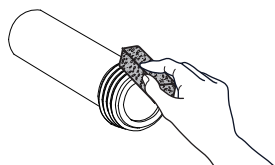
**!** This circuit must have leakage protection and can be turned off separately. Measurements are approximate and will vary per wall carrier and job site. Please verify all measurements before cuts are made.

● FINAL STATE

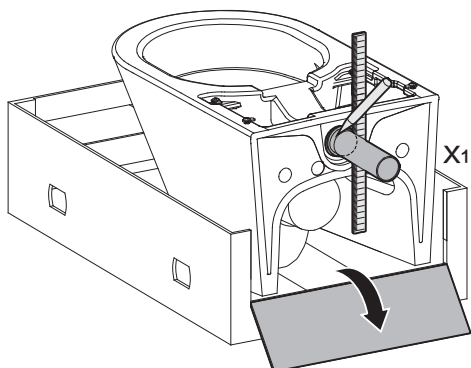




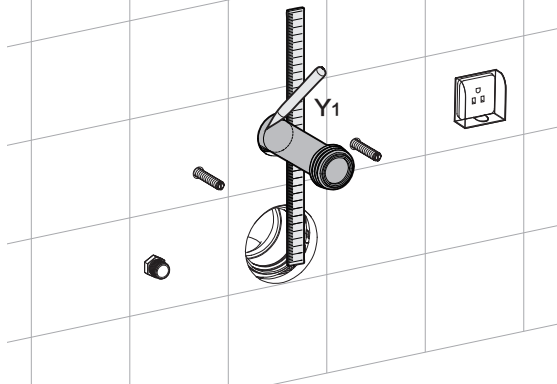
①



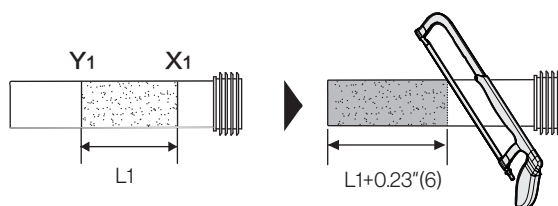
②



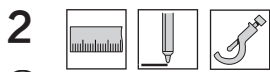
③



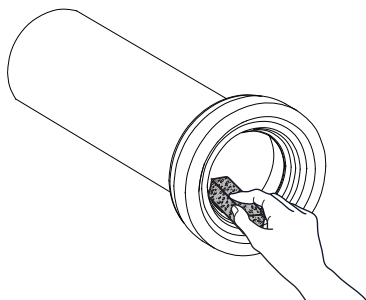
④



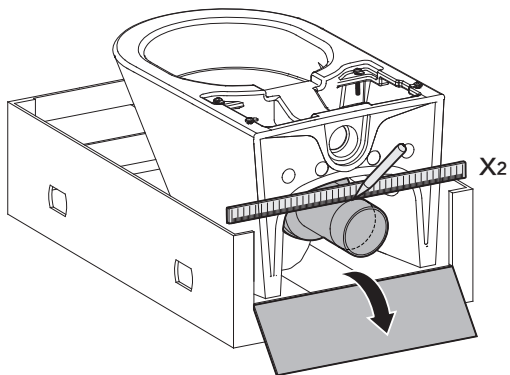
# INSTALLATION



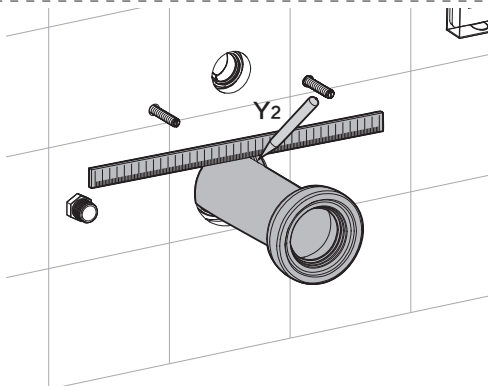
1



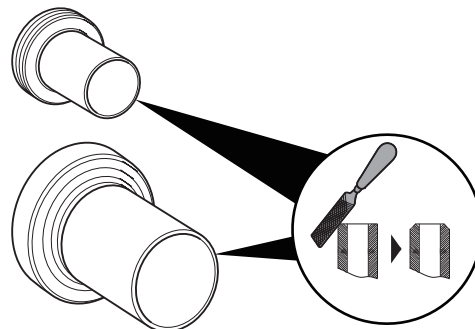
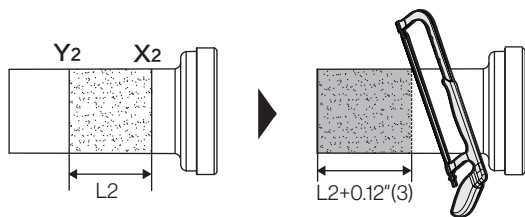
2



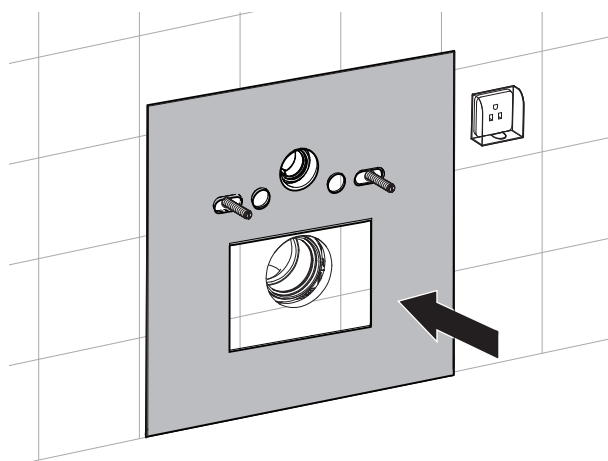
3



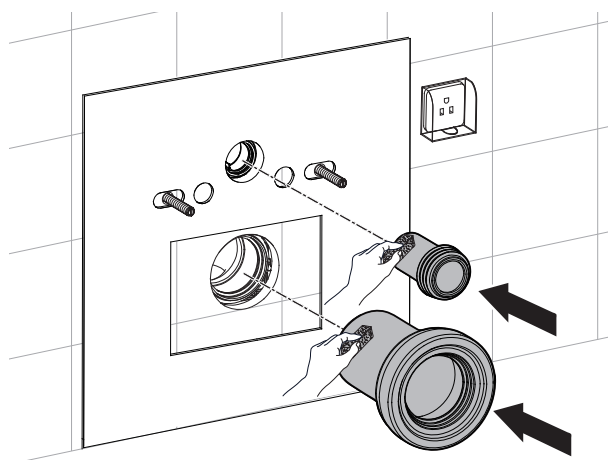
4



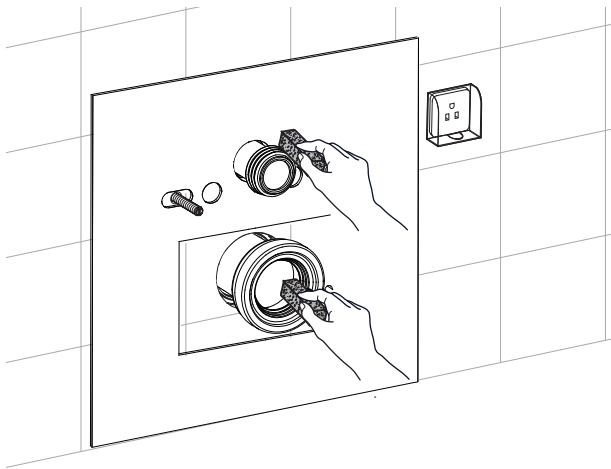
4



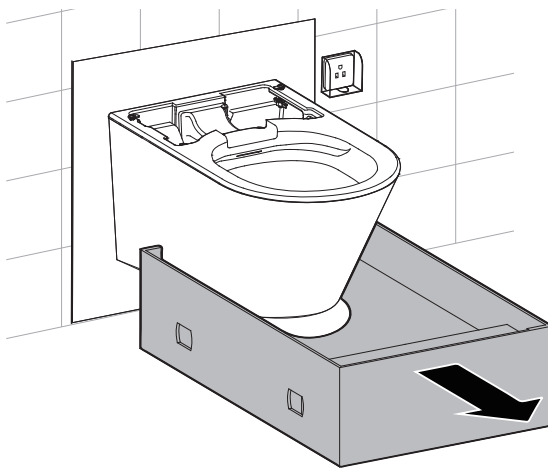
5



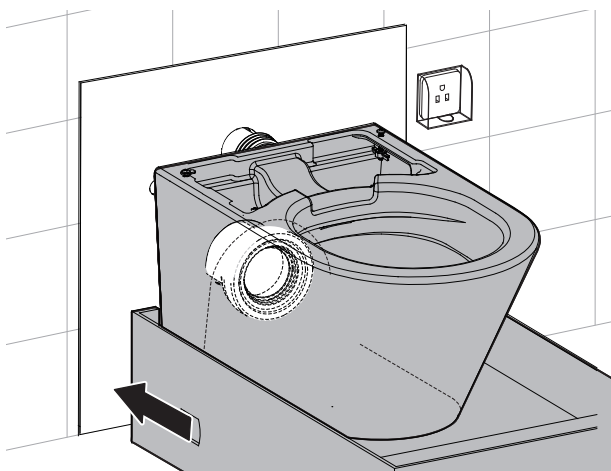
6



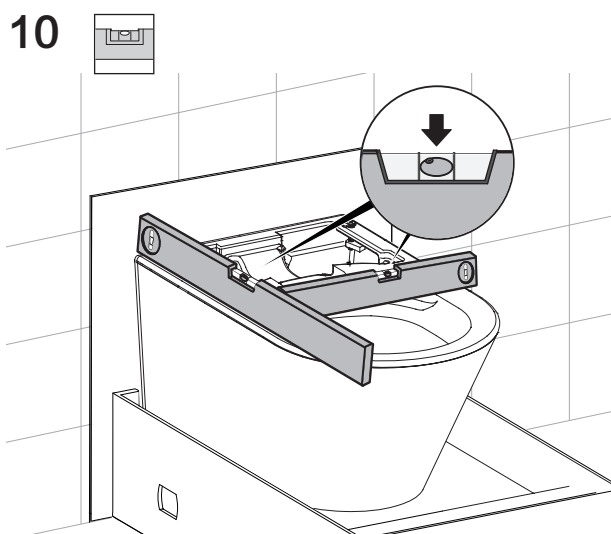
9



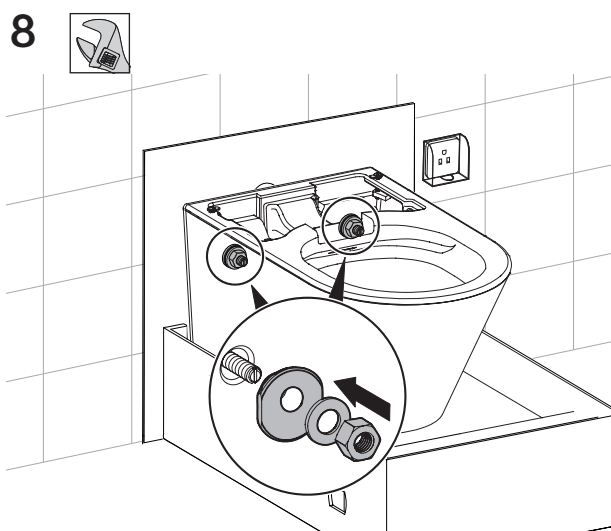
7



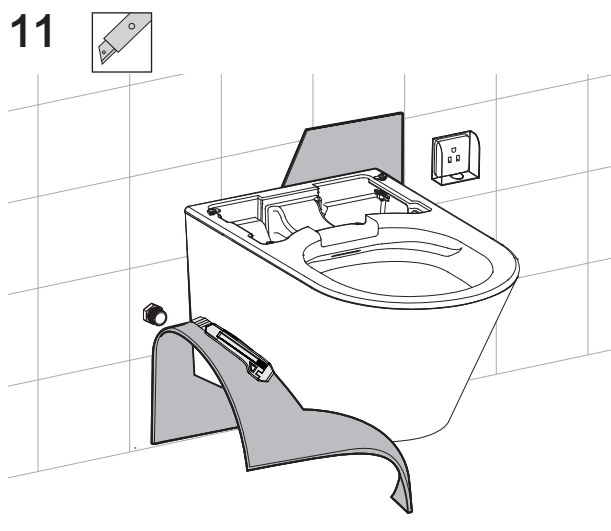
10



8



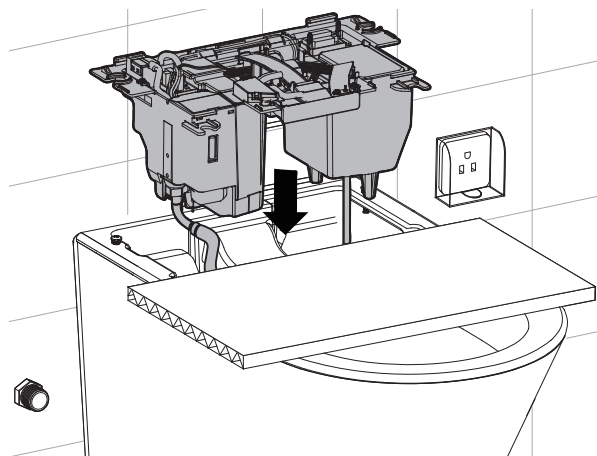
11



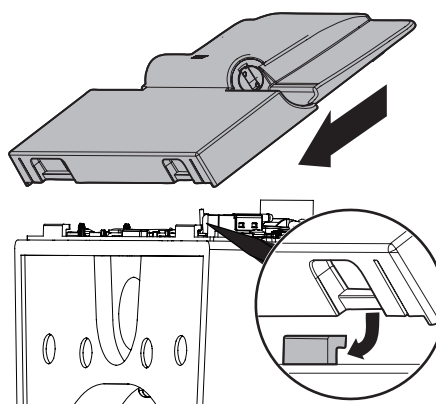




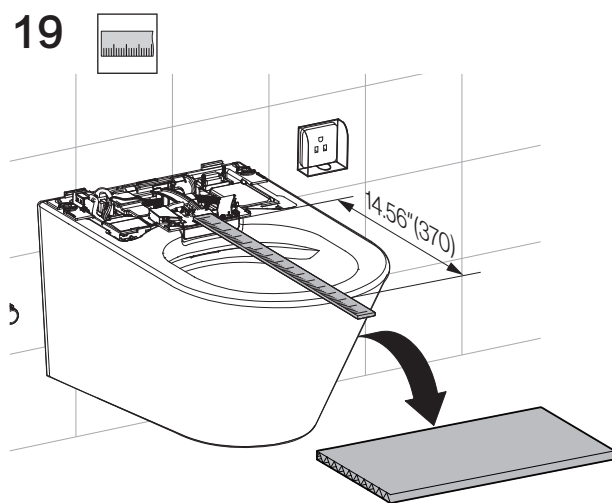
18



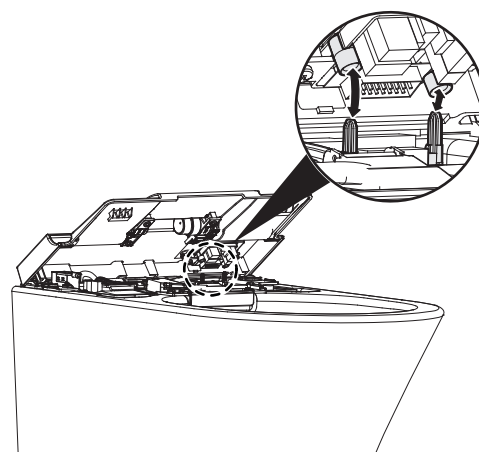
21



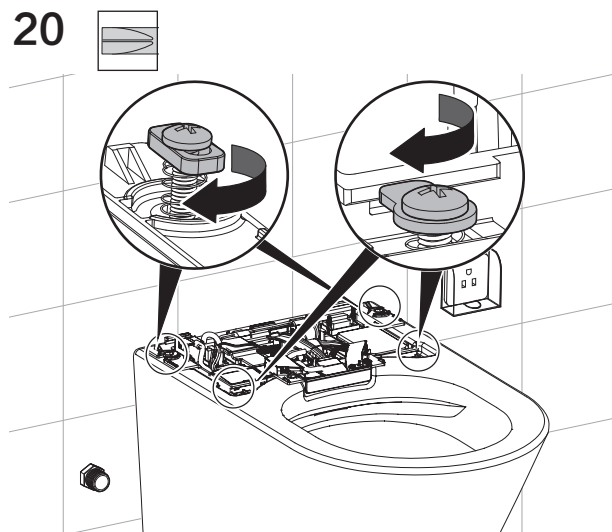
19



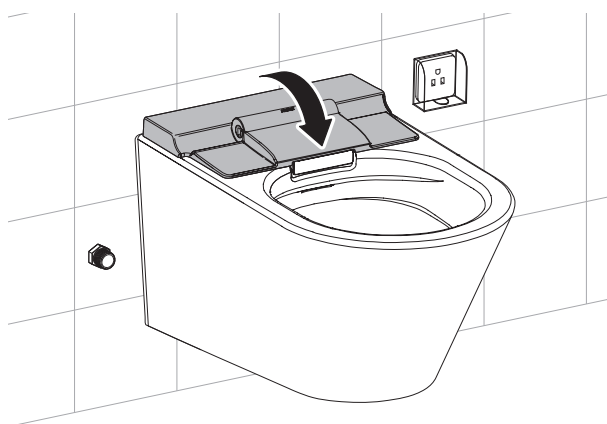
22



20

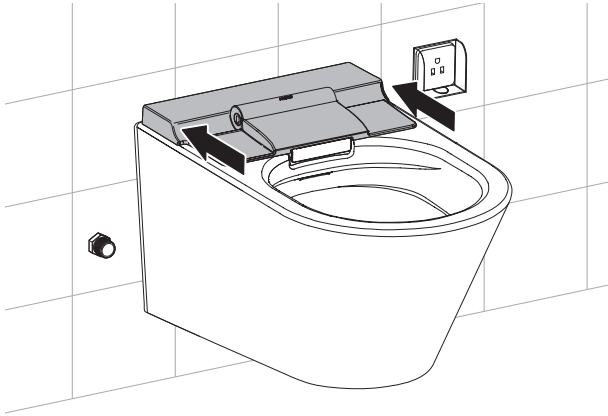


23

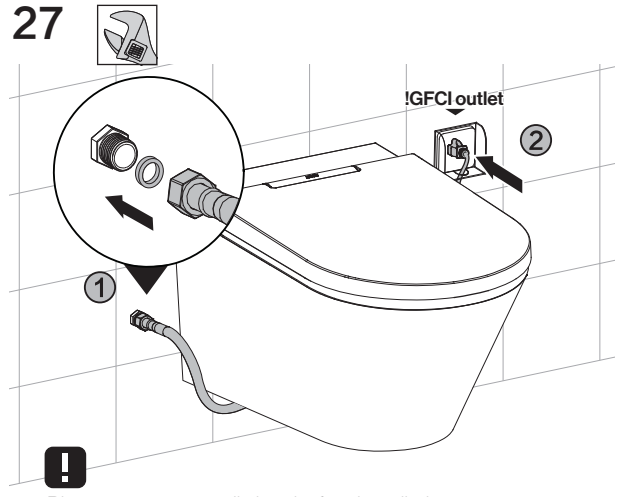


# INSTALLATION

24

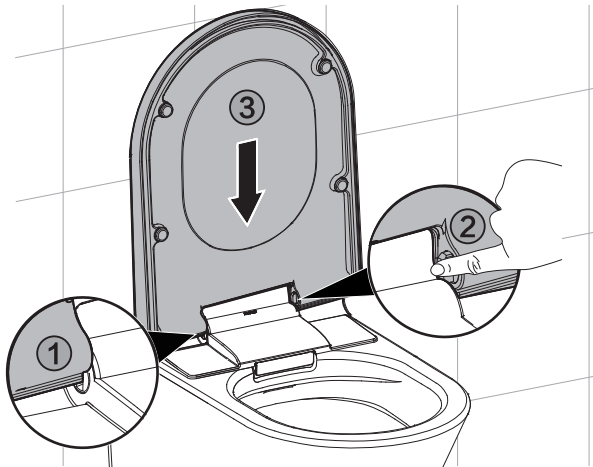


27

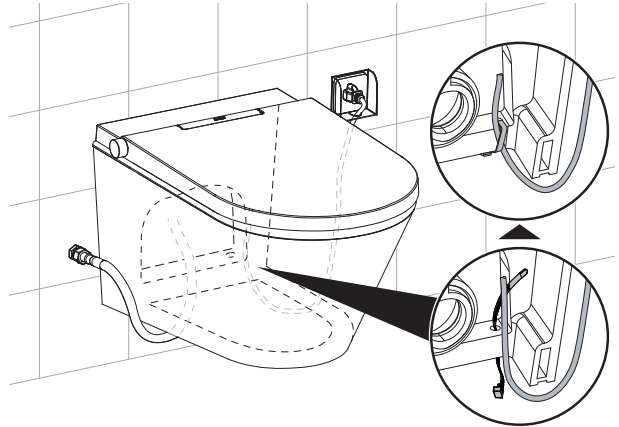


Please run water until clear before installation.

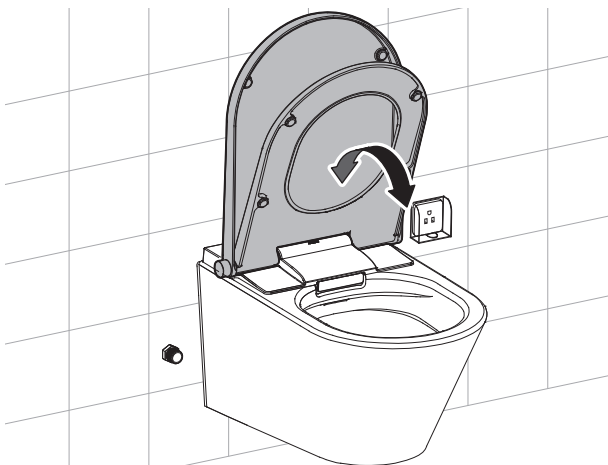
25



28



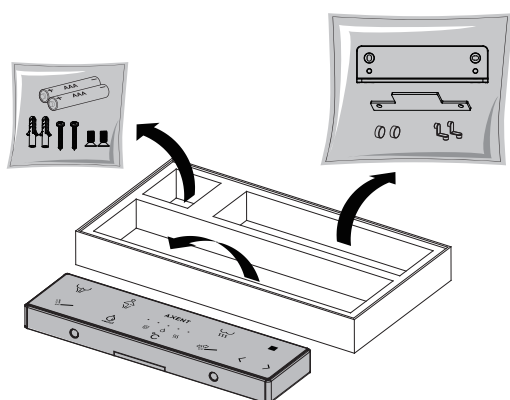
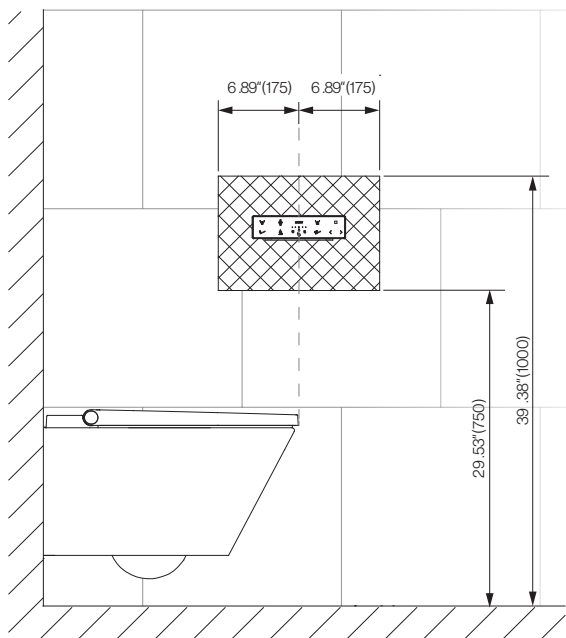
26



REMOTE CONTROL

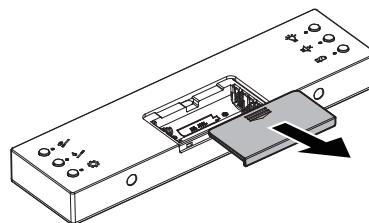


RECOMMENDED INSTALLATION RANGE

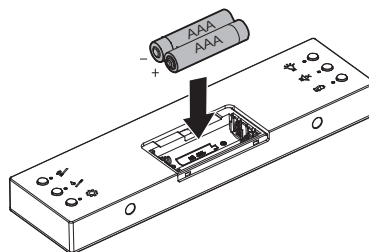


BATTERY INSTALLATION

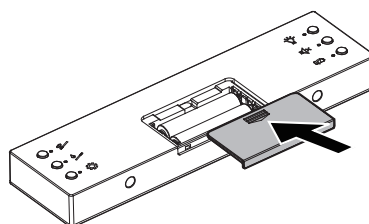
1



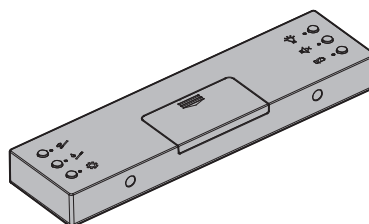
2



3

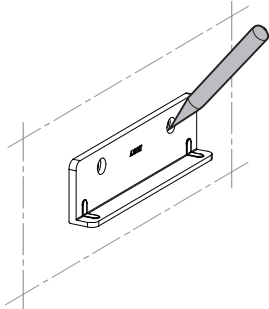


4

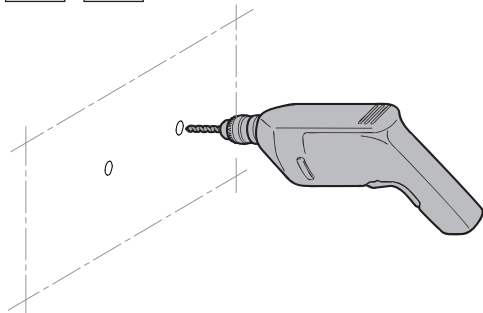
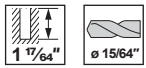


# INSTALLATION

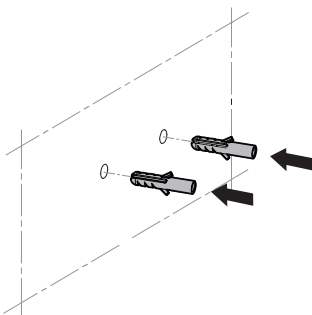
1



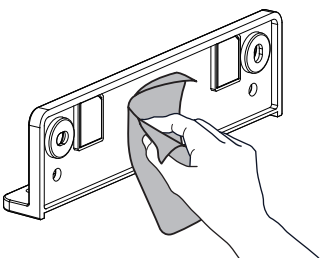
2



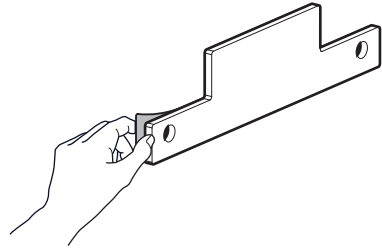
3



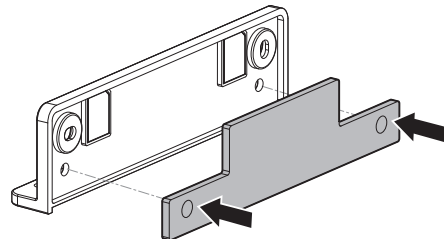
4



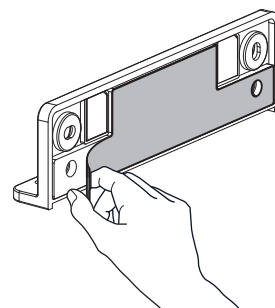
5



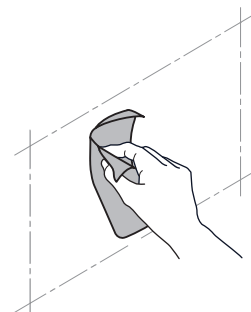
6



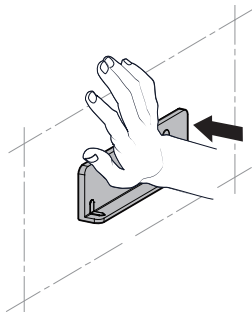
7



8



9

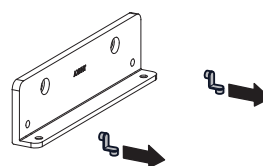


12

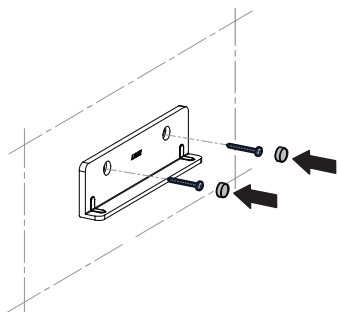


OPTIONAL

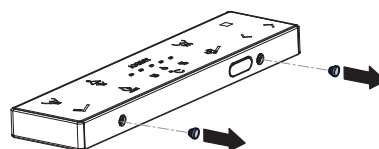
①



10



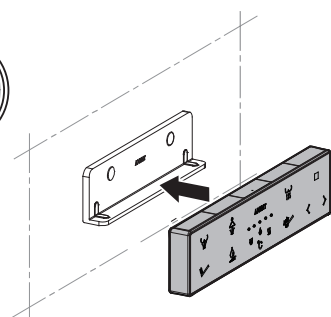
②



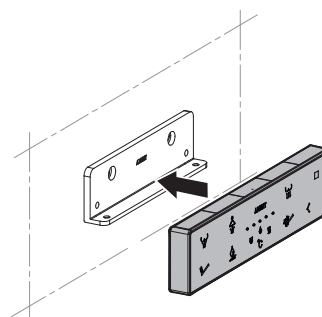
11



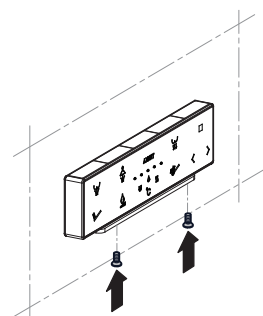
≥55min



③



④



# TEST

## ■ TEST

1



2



3



4



Please cover the spray arm during testing to avoid sprayed  
Please check for leaks and drips before caulking





Place serial number sticker here  
for reference:



**AXENT Corporation Ltd.**

[www.axentbath.us](http://www.axentbath.us)  
[support@axentproducts.com](mailto:support@axentproducts.com)  
1-800-769-4857